

# Strain Link with Amplifier DSRT 22DD

## Features

- Static and dynamic applications
- Integrated reset switch for automatic zero point setting
- Measuring range  $\pm 100$  up to  $\pm 750 \mu\epsilon$ , extension and compression
- Voltage output



## S/G Data

Strain gage type	Foil strain gage
------------------	------------------

## Mechanical Data

Material	
- Housing	1.7225 chemically nickel-plated
- Cover	1.4301
Electrical connection	5 pin (M12 x 1)
Application position	any
Force on sensor attachment at 250 $\mu\epsilon$	approx. 120 N

## Environmental Conditions

Operating temp.range	0...+70 °C
Storage temp. range	-40...+85°C
EMC	EN 61000-6-2 EN 61000-6-4
Vibration IEC 60068-2-6	10 - 2000 Hz 10 g (amplitude $\pm 0,75$ mm, 10 - 58 Hz)
Random IEC 60068-2-64	20 - 1000 Hz, 0,1 g <sup>2</sup> /Hz
Shock IEC 60068-2-27	50 g / 11 ms
Protection class	IP 67

## Delivery Contents

Mounting screws	4 pcs. M6 x 25 strength class 12.9
-----------------	---------------------------------------

## Order Code

DSRT 22DD-S5-

<b>0100</b>	Measuring range 100 $\mu\epsilon$
<b>0250</b>	Measuring range 250 $\mu\epsilon$
<b>0350</b>	Measuring range 350 $\mu\epsilon$
<b>0500</b>	Measuring range 500 $\mu\epsilon$
<b>0750</b>	Measuring range 750 $\mu\epsilon$

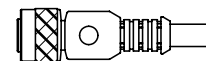
## Electrical Data

Measuring range	$\pm 100 \mu\epsilon$ ... $\pm 750 \mu\epsilon$ (1 $\mu\epsilon$ = 0,001 mm/m resp. 1 $\mu\epsilon$ equals 0,001 mm strain per meter)
Output signal	$\pm 10$ VDC (max. $\pm 12$ VDC)
Characteristic curve deviation	< 1,0% FS
Linearity	< 0,5% FS
Hysteresis	< 0,5% FS
Repeatability	< 0,1% FS
Supply voltage range	18 - 33 VDC
Taring "activ High"	Low < 1 VDC High 5...33 VDC

## Accessories (not included in delivery)



Bushing, control side, 5-pin, Part No. 10135462

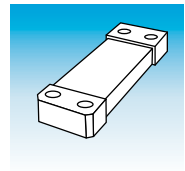


Bushing with cable, control side, 5-pin

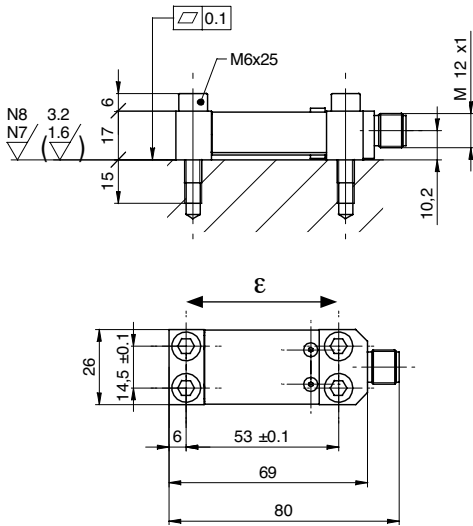
ES 34CP2B 5-pin (shielded) 2 m, PUR,  
(Part No. 11046264)

ES 34CP5B 5-pin (shielded) 5 m, PUR,  
(Part No. 11046266)

ES 34CP10B 5-pin (shielded) 10 m, PUR,  
(Part No. 10155587)



Dimensions (mm)

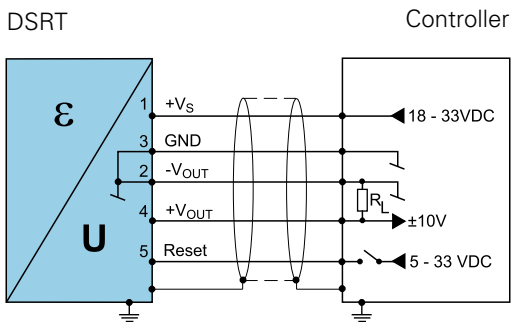


Electrical Connections

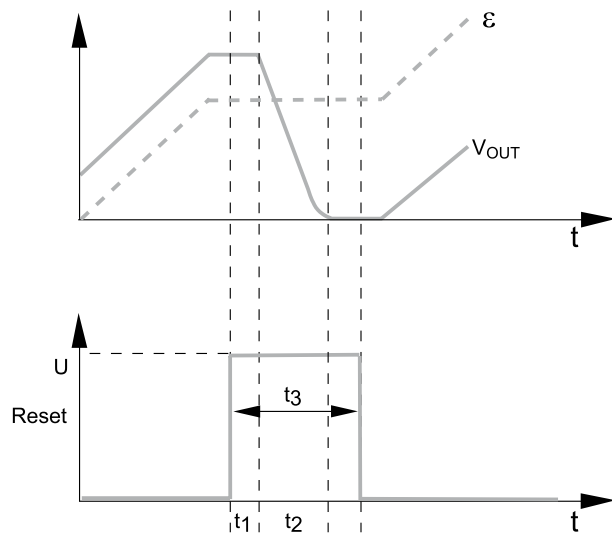


Pin	Signal
1	+Vs
2	-V <sub>OUT</sub>
3	GND
4	+V <sub>OUT</sub>
5	Reset
Housing	Shield

Control



Reset Function



V <sub>OUT</sub>	Output signal
ε	Input signal
Reset	Reset input (active high)
t <sub>1</sub>	Reset delay (< 0,3 ms)
t <sub>2</sub>	Reset time (< 5 ms)
t <sub>3</sub>	Reset impulse (> 1 ms)