

Online Data Sheet

Encoder WDGA 58V CANopen

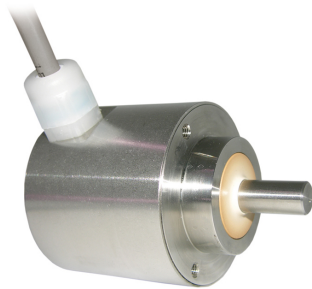
www.wachendorff-automation.com/wdga58vcan

Wachendorff Automation

... systems and encoders

- Complete systems
- Industrial rugged encoders to suit your application
- Standard range and customer versions
- Maximum permissible loads
- 48-hour express production
- Made in Germany
- Worldwide distributor network

Encoder WDGA 58V absolute CANopen magnetic, with EnDra®-Technology



EnDra®
Technologie

CANopen®

- Resistance to salt mist acc. to (IEC 60068-2-11)
- EnDra®: maintenance-free and environmentally friendly
- Acid- and alkaline resistance
- CANopen, Single- and Multiturn
- Communication Profile according to CiA 301
- Device Profile for encoder CiA 406 V3.2 class C2
- Single-/Multiturn (14 bit / 39 bit)
- Forward-looking technology with 32 Bit processor

www.wachendorff-automation.com/wdga58vcan

Especially for food and beverage industry
Acid- and alkaline resistance

Mechanical Data			
Housing		Multiturn technology	patented EnDra® technology no battery and no gear.
Flange	clamping flange	Multiturn resolution	up to 262,144 revolutions (18 bit) with high precision value up to 39 bit.
Flange material	stainless steel, V4A	Environmental data	
Housing cap	stainless steel, V4A	ESD (DIN EN 61000-4-2):	8 kV
Housing	Ø 58 mm	Burst (DIN EN 61000-4-4):	2 kV
Shaft(s)		includes EMC:	DIN EN 61000-6-2 DIN EN 61000-6-3
Shaft material	stainless steel	Vibration: (DIN EN 60068-2-6)	50 m/s ² (10 Hz up to 2000 Hz)
Starting torque	approx. 1 Ncm at ambient temperature	Shock: (DIN EN 60068-2-27)	1000 m/s ² (6 ms)
Shaft	Ø 10 mm	Design:	according DIN VDE 0160
Shaft length	L: 18 mm	Turn on time:	<1,5 s
Max. Permissible shaft loading radial	100 N	Interface	
Max. Permissible shaft loading axial	100 N	Interface:	CAN
Bearings		Protocol:	CANopen <ul style="list-style-type: none"> • Communication profil CiA 301 • Device Profile for encoder CiA 406 V3.2 class C2
Bearings type	2 precision ball bearings	Node number:	1 up to 127 (default 127)
Nominale service life	1 x 10 ⁹ revs. at 100 % rated shaft load 1 x 10 ¹⁰ revs. at 40 % rated shaft load 1 x 10 ¹¹ revs. at 20 % rated shaft load	Baud rate:	10 kBaud up to 1 MBaud with automatic bit rate detection.
Max. operating speed	3600 rpm	Advice:	The standard settings as well as any customization in the software can be changed via LSS (CiA 305) and the SDO protocol, e. g. PDOs, Scaling, Heartbeat, Node-ID, Baud rate, etc.
Machinery Directive: basic data safety integrity level		Programmable CAN transmission modes:	Synchronous mode: when a synchronisation telegram (SYNC) is received from another bus node, PDOs are transmitted independently. Asynchronous mode: a PDO message is triggered by an internal event. (e.g. change of measured valued, internal timer, etc.)
MTTF _d	1000 a		
Mission time (TM)	20 a		
Nominale service life (L10h)	1 x 10 ¹¹ revs. at 20 % rated shaft load and 3600 rpm		
Diagnostic coverage (DC)	0 %		
Electrical Data			
Power supply/Current consumption	10 VDC up to 32 VDC: max. 50 mA		
Power consumption	max. 0.5 W		
Sensor data			
Singleturn technology	innovative hall sensor technology		
Singleturn resolution	16,384 steps/360° (14 bit)		
Singleturn accuracy	< ±0.35°		
Singleturn repeat accuracy	< ±0.20°		
Intern cycle time	600 µs		

General Data

Weight	approx. 600 g
Connections	cable outlet (TPE)
Protection rating (EN 60529)	IP67 all around and IP69K. Resistance to salt mist (IEC 60068-2-11) after 672 hours.
Operating temperature	-20 °C up to +80 °C
Storage temperature	-20 °C up to +80 °C

More Information

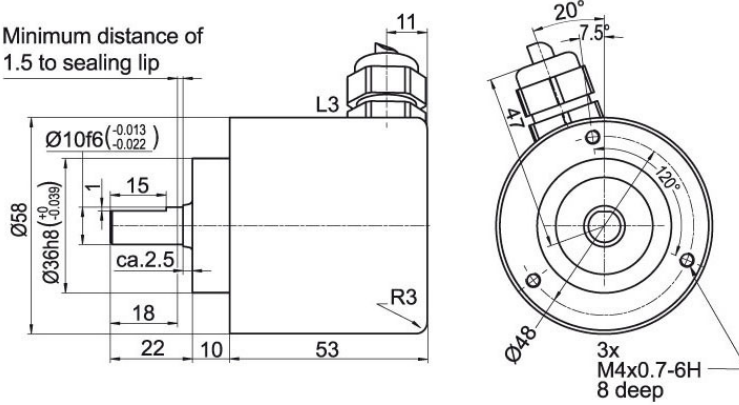
General technical data

<http://www.wachendorff-automation.com/gtd>

Options

<http://www.wachendorff-automation.com/acc>

Cable connection L3 with 2 m cable

 Minimum distance of
 1.5 to sealing lip

Description
L3 radial, shield connected to encoder housing

Assignments	
(+) Vcc	BN
GND	OG
CANHigh	GN
CANLow	YE
CANGND shield	shield

Example Order No.	Type	Your encoder	
WDGA 58V	WDGA 58V	WDGA 58V	
	Shaft	Order key	
10	Ø 10 mm	10	
	Singleturn Resolution	Order key	
12	Singleturn resolution 1 Bit up to 14 Bit: (e. G. 12 Bit)	12	
	Multiturn Resolution	Order key	
18	Multiturn-resolution: (examples) 18 bit = 18 39 bit = 39 no Multiturn = 00	18	
	Data protocol	Order key	
CO	CANopen	CO	
	Software	Order key	
A	up to date release	A	
	Code	Order key	
B	binary	B	
	Power supply	Order key	
0	10 V up to 32 V (standard)	0	
	Galvanic isolation	Order key	
0	no	0	
	Electrical connections	Order key	
L3	Cable:	L3	
	radial, shield connected to encoder housing		

Example Order No.	WDGA 58V	10	12	18	CO	A	B	0	0	L3
--------------------------	----------	----	----	----	----	---	---	---	---	----

WDGA 58V										Example Order No.
----------	--	--	--	--	--	--	--	--	--	--------------------------



For further information please contact our local distributor.
Here you find a list of our distributors worldwide.
http://www.wachendorff-automation.com/distributors_worldwide.html



Wachendorff Automation GmbH & Co. KG
Industriestrasse 7 • D-65366 Geisenheim

Phone: +49 67 22 / 99 65 25
Fax: +49 67 22 / 99 65 70
E-Mail: wdg@wachendorff.de
www.wachendorff-automation.de

