

Online Data Sheet

Encoder WDGA 58E PROFIBUS-DP (cov)

www.wachendorff-automation.com/wdga58bpbb

Wachendorff Automation

... systems and encoders

- Complete systems
- Industrial rugged encoders to suit your application
- Standard range and customer versions
- Maximum permissible loads
- 48-hour express production
- Made in Germany
- Worldwide distributor network

Encoder WDGA 58E absolute PROFIBUS-DP magnetic, with EnDra®- Technology



EnDra®
Technologie

PROFI
BUS

PIV CERTIFIED
PROFIBUS • PROFINET

- EnDra®: maintenance-free and environmentally friendly
- PROFIBUS-DP, Single-/Multiturn
- Compact design with buscover
- Single-/Multiturn (max. 14 bit/39 bit)
- Forward-looking technology with 32 Bit processor
- 2 colour-duo LED's as indicator for operating condition and bus status
- High shaft load up to 80 N radial, 50 N axial
- Device Profile switchable, Class 1, 2, 3, 4

www.wachendorff-automation.com/wdga58bpbb

Mechanical Data	
Housing	
Flange	hollow shaft (blind-bored)
Flange material	aluminium
Housing cap	steel case chrome-plated, magnetic shielding
Connection cover	zinc-plated
Torque supports	incl. 1 torque support WDGDS10019
- 1. Spring plate compensation	axial: ±1.2 mm, radial: ±0.2 mm
- Max. operating speed	6000 rpm up to max. protection rating +80 °C
Housing	Ø 58 mm
Shaft(s)	
Shaft material	stainless steel
Starting torque	approx. 1.6 Ncm at ambient temperature, approx. 2.226 in-ozf at ambient temperature
Fixing	permanently attached clamping ring
Shaft	Ø 6 mm
Advice	with adapter sleeve
Shaft length	L: 17 mm
Insertion depth min.	10 mm
Insertion depth max.	19 mm
Max. Permissible shaft loading radial	80 N
Max. Permissible shaft loading axial	50 N
Shaft	Ø 6.35 mm, Ø 1/4"
Advice	with adapter sleeve
Shaft length	L: 17 mm, L: 0.669 in
Insertion depth min.	10 mm, 0.394 in
Insertion depth max.	19 mm, 0.748 in
Max. Permissible shaft loading radial	80 N, 8.158 kp
Max. Permissible shaft loading axial	50 N, 5.099 kp
Shaft	Ø 7 mm
Advice	with adapter sleeve
Shaft length	L: 17 mm
Insertion depth min.	10 mm
Insertion depth max.	19 mm
Max. Permissible shaft loading radial	80 N

Max. Permissible shaft loading axial	50 N
Shaft	Ø 8 mm
Advice	with adapter sleeve
Shaft length	L: 17 mm
Insertion depth min.	10 mm
Insertion depth max.	19 mm
Max. Permissible shaft loading radial	80 N
Max. Permissible shaft loading axial	50 N
Shaft	Ø 3/8", 9.525 mm, Ø 3/8"
Advice	with adapter sleeve
Shaft length	L: 17 mm, L: 0.669 in
Insertion depth min.	10 mm, 0.394 in
Insertion depth max.	19 mm, 0.748 in
Max. Permissible shaft loading radial	80 N, 8.158 kp
Max. Permissible shaft loading axial	50 N, 5.099 kp
Shaft	Ø 10 mm
Advice	with adapter sleeve
Shaft length	L: 17 mm
Insertion depth min.	10 mm
Insertion depth max.	19 mm
Max. Permissible shaft loading radial	80 N
Max. Permissible shaft loading axial	50 N
Shaft	Ø 12 mm
Shaft length	L: 17 mm
Insertion depth min.	10 mm
Insertion depth max.	19 mm
Max. Permissible shaft loading radial	80 N
Max. Permissible shaft loading axial	50 N
Shaft	Ø 14 mm
Shaft length	L: 17 mm
Insertion depth min.	10 mm
Insertion depth max.	19 mm
Max. Permissible shaft loading radial	80 N

Max. Permissible shaft loading axial	50 N
Shaft	Ø 15 mm
Shaft length	L: 17 mm
Insertion depth min.	10 mm
Insertion depth max.	19 mm
Max. Permissible shaft loading radial	80 N
Max. Permissible shaft loading axial	50 N

Bearings

Bearings type	2 precision ball bearings
Nominal service life	1 x 10 ⁹ revs. at 100 % rated shaft load 1 x 10 ¹⁰ revs. at 40 % rated shaft load 1 x 10 ¹¹ revs. at 20 % rated shaft load
Max. operating speed	6000 rpm

Machinery Directive: basic data safety integrity level

MTTF _d	300 a
Mission time (TM)	20 a
Nominal service life (L10h)	1 x 10 ¹¹ revs. at 20 % rated shaft load and 6000 rpm
Diagnostic coverage (DC)	0 %

Electrical Data

Power supply/Current consumption	10 VDC up to 32 VDC: max. 100 mA (24 VDC)
Power consumption	max. 2.5 W

Sensor data

Singleturn technology	innovativ hall sensor technology
Singleturn resolution	up to 16,384 steps/360° (14 bit)
Singleturn accuracy	< ±0.35°
Singleturn repeat accuracy	< ±0.20°
Intern cycle time	600 µs
Multiturn technology	patented EnDra® technology no battery and no gear.
Multiturn resolution	up to 262,144 revolutions (18 bit)

Environmental data

ESD (DIN EN 61000-4-2):	8 kV
Burst (DIN EN 61000-4-4):	2 kV
includes EMC:	DIN EN 61000-6-2 DIN EN 61000-6-3
Vibration: (DIN EN 60068-2-6)	50 m/s ² (10 Hz up to 2000 Hz)
Shock: (DIN EN 60068-2-27)	1000 m/s ² (6 ms)
Design:	according DIN VDE 0160
Turn on time:	<1,5 s

Interface

Interface:	PROFIBUS-DP
Protocol:	PROFIBUS-DPV0/V2
Device Profile:	Class 1, 2, 3, 4
Line-Driver:	galvanic isolated
Baud rate:	max. 12 MBaud
Function:	Multiturn

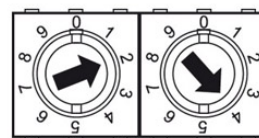
Nodeaddressing:	by switches in buscover
Code:	binary, CW default, programable
Programmable Parameter:	steps per Revolution counts of revolution Preset Scale Counting direction
Diagnostics:	Position and parameter errors EnDra®-diagnosis
Status encoder	DUO-LED in bus cover
Status Bus	DUO-LED in bus cover

Termination resistors:



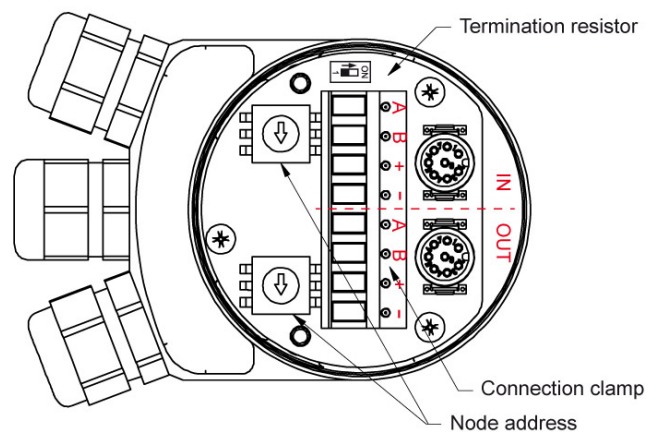
ON = last node
OFF = node X

Node address:



By switches
EG.: address 24

View in bus cover:



Cable clamping value: Ø 4 mm - 9.5 mm

General Data

Weight	approx. 410 g, approx. 14.462 oz
Connections	bus cover
Protection rating (EN 60529)	Housing: IP65, IP67; shaft sealed: IP65
Operating temperature	-40 °C up to +85 °C, -40 °F up to +176 °F
Storage temperature	-40 °C up to +100 °C, -40 °F up to +212 °F

More Information

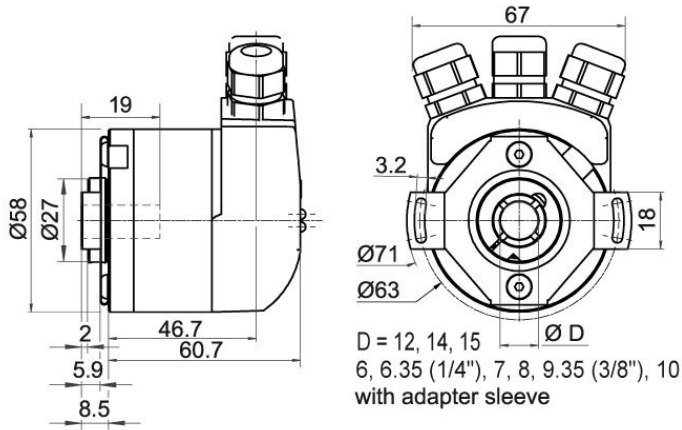
General technical data

<http://www.wachendorff-automation.com/gtd>

Options


<http://www.wachendorff-automation.com/acc>

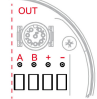
WDGA 58E PROFIBUS-DP, BP1, bus cover with 3x cable gland

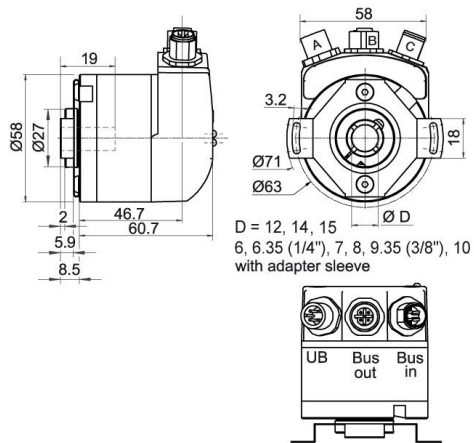



Description

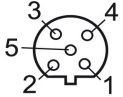
BP1 Bus cover with connection clamps (PG cable glands)

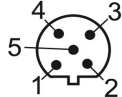
Assignments	
BP1	
	
A	1
B	2
(+) Vcc	3
GND	4

Assignments	
BP1	
	
A	5
B	6
(+) Vcc	7
GND	8

WDGA 58E PROFIBUS-DP, BP2, bus cover with 3x M12x1

Description
BP2 Bus cover with 3x M12x1

Assignments	
BP2	
	
connector (A)	M12x1, 4-pin, A-coded
(+) Vcc	1
n. c.	2
GND	3
n. c.	4

Assignments	
BP2	
	
Female connector (B)	M12x1, 5-pin, B-coded
BUS	OUT
n. c.	1
A	2
n. c.	3
B	4
n. c.	5

Assignments	
BP2	
	
connector (C)	M12x1, 5-pin, B-coded
BUS	IN
n. c.	1
A	2
n. c.	3
B	4
n. c.	5

Example Order No.	Type	Your encoder
WDGA 58E	WDGA 58E	WDGA 58E
	Shaft	Order key
12	Ø 6 mm with adapter sleeve	06
	Ø 6.35 mm Ø 1/4" with adapter sleeve	2Z
	Ø 7 mm with adapter sleeve	07
	Ø 8 mm with adapter sleeve	08
	Ø 3/8", 9.525 mm Ø 3/8" with adapter sleeve	4Z
	Ø 10 mm with adapter sleeve	10
	Ø 12 mm	12
	Ø 14 mm	14
	Ø 15 mm	15
	Singleturn Resolution	Order key
13	Singelturm resolution 1 up to 14 Bit, e. g. 12 Bit = 12	12
	Multiturn Resolution	Order key
12	Multiturn 18 Bit: e. G. 18 Bit = 18 e. G. 39 Bit = 39	18
	Data protocol	Order key
DP	PROFIBUS-DP (with bus cover)	DP
	Software	Order key
A	up to date release	A
	Code	Order key
B	binary	B
	Power supply	Order key
0	10 V up to 32 V (standard)	0
	Galvanic isolation	Order key
1	yes	1
	Electrical connections	Order key
BP1	Connection cover:	
	Bus cover with connection clamps (PG cable glands)	BP1
	Bus cover with 3x M12x1	BP2

Example Order No.	WDGA 58E	12	13	12	DP	A	B	0	1	BP1
--------------------------	----------	----	----	----	----	---	---	---	---	-----

WDGA 58E											Example Order No.
----------	--	--	--	--	--	--	--	--	--	--	--------------------------



For further information please contact our local distributor.
Here you find a list of our distributors worldwide.
http://www.wachendorff-automation.com/distributors_worldwide.html



Wachendorff Automation GmbH & Co. KG
Industriestrasse 7 • D-65366 Geisenheim

Phone: +49 67 22 / 99 65 25
Fax: +49 67 22 / 99 65 70
E-Mail: wdg@wachendorff.de
www.wachendorff-automation.de

