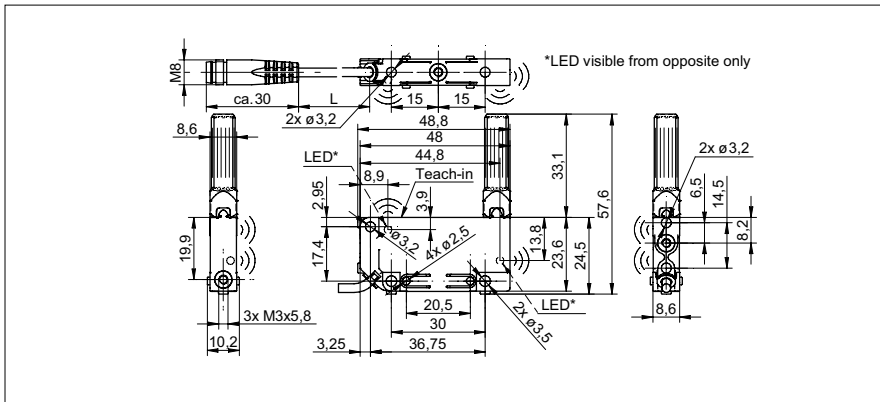


Ultrasonic distance measuring sensors

UNDK 09U6914/KS35AD1

dimension drawing



general data

| | |
|--------------------------------|--------------------------------|
| scanning range sd | 3 ... 150 mm |
| scanning range close limit Sdc | 3 ... 150 mm |
| scanning range far limit Sde | 3 ... 150 mm |
| repeat accuracy | < 0,5 mm |
| resolution | < 0,3 mm |
| response time ton | < 35 ms |
| release time toff | < 35 ms |
| temperature drift | < 2 % of distance to target So |
| sonic frequency | 380 kHz |
| adjustment | Teach-in |
| alignment aid | target indication flashing |
| light indicator | yellow LED / red LED |

electrical data

| | |
|------------------------------------|-------------------------|
| voltage supply range +Vs | 15 ... 30 VDC |
| current consumption max. (no load) | 35 mA |
| output circuit | voltage output |
| output signal | 0 ... 10 V / 10 ... 0 V |
| output current | < 15 mA |
| residual ripple | < 10 % Vs |
| short circuit protection | yes |
| reverse polarity protection | yes |

mechanical data

| | |
|----------------------------|--------------------------------|
| type | rectangular |
| housing material | PA 12 |
| material (beam columnator) | POM |
| width / diameter | 8,6 mm |
| height / length | 48,8 mm |
| depth | 57,7 mm |
| connection types | flylead connector M8, L=200 mm |

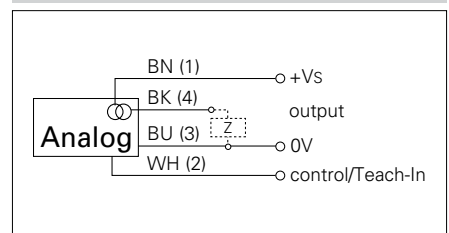
ambient conditions

| | |
|-----------------------|--------------|
| operating temperature | 0 ... +60 °C |
| protection class | IP 67 |

photo



connection diagram



- Scanning range 3 ... 150 mm, measured from nozzle