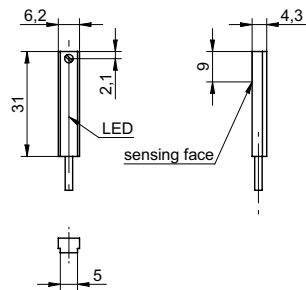


## Magnetic cylinder sensors

MZTK 06P1011/0500

## dimension drawing



## general data

type	magneto-resistive
version	T-slots
nominal operation point	4 mT
difference ON-OFF	0,5 ... 1,5 mT
output indicator	LED yellow

## electrical data

switching frequency	< 200 kHz
response time / release time	< 0,0025 ms
output circuit	PNP
current consumption max. (no load)	12 mA
output current	< 200 mA
voltage supply range +Vs	6 ... 30 VDC
output function	normally open (NO)
voltage drop Vd	< 1 VDC
reverse polarity protection	yes
short circuit protection	yes

## mechanical data

cable output	axial
connection types	cable PUR 3 pin, 5 m
type	rectangular
depth	31 mm
width / diameter	6,2 mm
height / length	4,3 mm
housing material	PA66

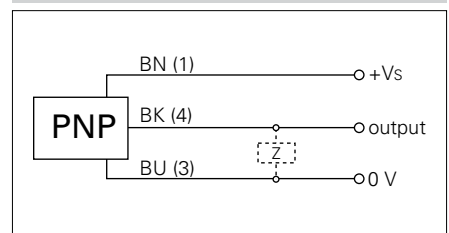
## ambient conditions

operating temperature	-10 ... +70 °C
protection class	IP 67

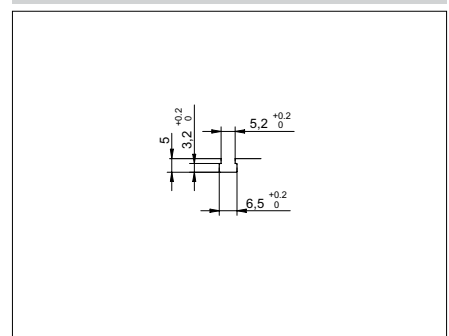
## photo



## connection diagram



## installation drawing



- Oil- and salt water climate resistant