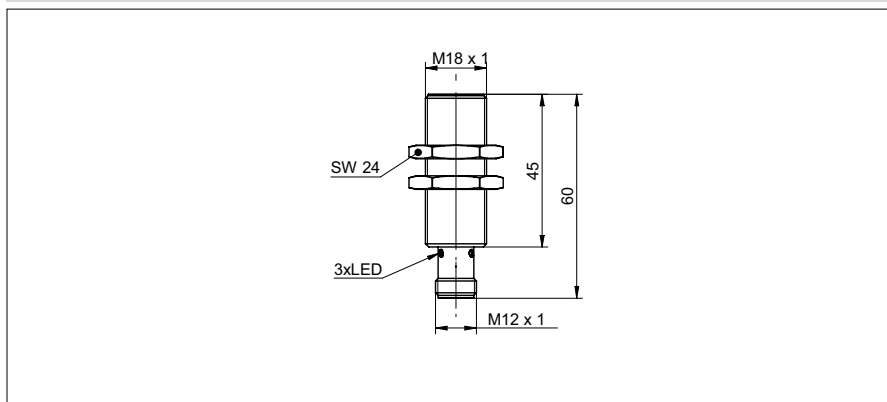


## Inductive proximity switch

IGYX 18

## sample drawing



## general data

mounting type	quasi shielded
nominal sensing distance $S_n$	8 mm
assured sensing distance $S_a$	6,4 mm
temperature drift	$\pm 10\%$ of $S_r$ (0 ... +60 °C)
hysteresis	3 ... 20 % of $S_r$

## electrical data

switching frequency	< 400 Hz
voltage supply range +Vs	10 ... 30 VDC
current consumption max.	15 mA
voltage drop Vd	< 2,5 VDC
output current	< 200 mA
short circuit protection	yes
reverse polarity protection	yes

## mechanical data

type	cylindrical threaded
material (sensing face)	PBT, red
housing material	brass nickel plated
dimension	18 mm
tightening torque	25 Nm

## cable, 2 m

housing length	50 mm
----------------	-------

## connector M12

housing length	60 mm
----------------	-------

## ambient conditions

operating temperature	-25 ... +75 °C
protection class	IP 67

## sample picture



**Inductive proximity switch****IGYX 18**

<b>order reference</b>	<b>connection types</b>	<b>output circuit</b>	<b>output indicator</b>
<b>IGYX 18N17B3/L</b>	cable, 2 m	NPN make function (NO)	LED red
<b>IGYX 18N17B3/S14L</b>	connector M12	NPN make function (NO)	3 port LED red
<b>IGYX 18N37B3/L</b>	cable, 2 m	NPN break function (NC)	LED red
<b>IGYX 18N37B3/S14L</b>	connector M12	NPN break function (NC)	3 port LED red
<b>IGYX 18P17B3/L</b>	cable, 2 m	PNP make function (NO)	LED red
<b>IGYX 18P17B3/S14L</b>	connector M12	PNP make function (NO)	3 port LED red
<b>IGYX 18P37B3/L</b>	cable, 2 m	PNP break function (NC)	LED red
<b>IGYX 18P37B3/S14L</b>	connector M12	PNP break function (NC)	3 port LED red