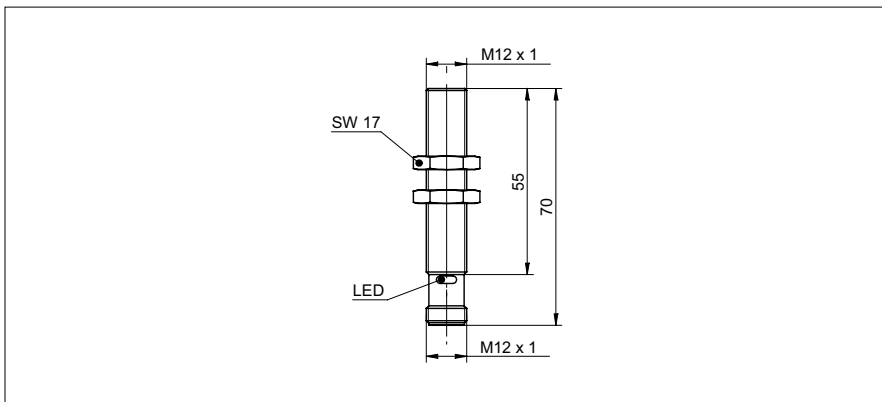


## Ultrasonic retro-reflective sensors

## URAM 12P8910/S140

## dimension drawing



## general data

special type	Highspeed
scanning range sd	0 ... 70 mm
reflector position Sde	40 ... 70 mm
adjusting range reflector (operating range)	$\pm 2,5 \% Sde$
adjusting range reflector (limit range)	$\pm 5 \% Sde$
repeat accuracy	< 1,5 mm
temperature drift	< 2 % Sde
response time ton	< 1,5 ms
release time toff	< 1,5 ms
switching frequency	< 200 Hz
sonic frequency	380 kHz
adjustment	external Teach-in
alignment aid	target indication flashing
output indicator	LED green

## electrical data

voltage supply range +Vs	12 ... 30 VDC
current consumption max. (no load)	35 mA
output circuit	PNP make function (NO) / break function (NC)
output current	< 200 mA
voltage drop Vd	< 2 VDC
residual ripple	< 10 % Vs
short circuit protection	yes
reverse polarity protection	yes

## mechanical data

type	cylindrical threaded
housing material	brass nickel plated
width / diameter	12 mm
height / length	70 mm
connection types	connector M12

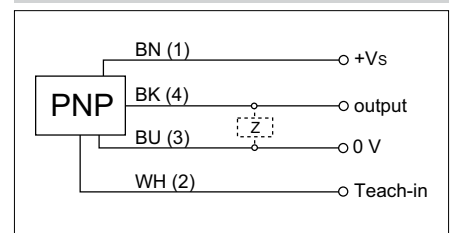
## ambient conditions

operating temperature	-10 ... +60 °C
protection class	IP 67

## photo



## connection diagram



- external Teach-in
- miniature housing
- response-/release time  $\pm 0,8$  ms
- Schaltfrequenz: gem. EN 60947-5-2
- NO/NC, programmable