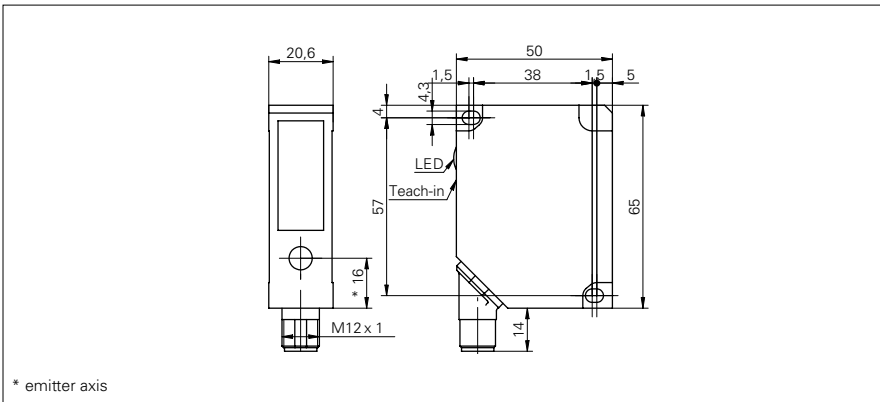


Distance sensors

OADM 20I2441/S14C

dimension drawing



general data

measuring distance Sd	30 ... 70 mm
adjustment	Teach-in: button / external
Teach-in range min.	> 2 mm
power on indication	LED green
soiled lens indicator	LED red
resolution	0,004 ... 0,02 mm
linearity error	± 0,012 ... ± 0,06 mm
light source	pulsed red laser diode
wave length	650 nm
laser class	2
beam type	point
beam diameter	1 ... 0,2 mm

electrical data

response time / release time	< 0,9 ms
voltage supply range +Vs	12 ... 28 VDC
current consumption max. (no load)	100 mA
output circuit	analog
output signal	4 ... 20 mA
load resistance (analog I)	< (+Vs - 6 V) / 0,02 A
short circuit protection	yes
reverse polarity protection	yes, Vs to GND

mechanical data

width / diameter	20,6 mm
height / length	65 mm
depth	50 mm
type	rectangular
housing material	die-cast zinc
front (optics)	glass
connection types	connector M12 5 pin, rotatable

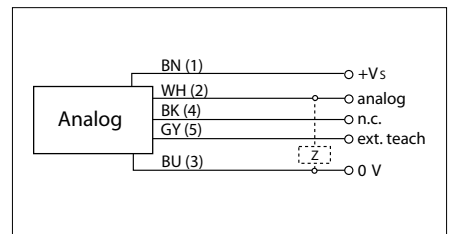
ambient conditions

operating temperature	0 ... +50 °C
protection class	IP 67

photo



connection diagram



laser warning

