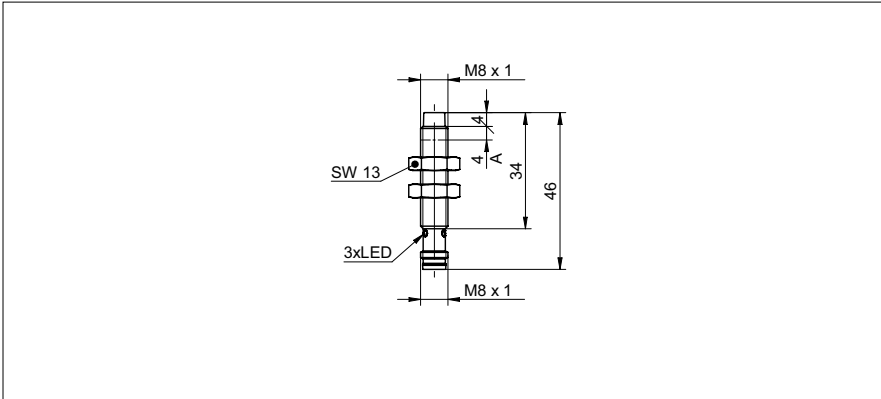


Inductive proximity switch

IR08.P06S-N46.PC1Z.7SL

dimension drawing



general data

| | |
|--------------------------------|--|
| mounting type | non-flush |
| special type | enhanced distance (GammaProx) |
| nominal sensing distance S_n | 6 mm |
| temperature drift | $\pm 10\%$ (0 ... +60 °C) $\pm 15\%$ (-25 ... +75 °C) |
| hysteresis | 3 ... 20 % of S_r |
| output indicator | 3 port LED red |
| correction factor typ. | mild steel 100 %, stainless steel 80 %, aluminum 50 % |

electrical data

| | |
|------------------------------------|-------------------------|
| switching frequency | < 400 Hz |
| voltage supply range +Vs | 6 ... 36 VDC |
| current consumption max. (no load) | 12 mA |
| output circuit | PNP break function (NC) |
| voltage drop V_d | < 2 VDC |
| output current | < 100 mA |
| short circuit protection | yes |
| reverse polarity protection | yes |

mechanical data

| | |
|-------------------------|----------------------|
| type | cylindrical threaded |
| material (sensing face) | PBT |
| housing material | stainless steel |
| dimension | 8 mm |
| housing length | 46 mm |
| connection types | connector M8 |
| tightening torque max. | 10 Nm (A: 7 Nm) |

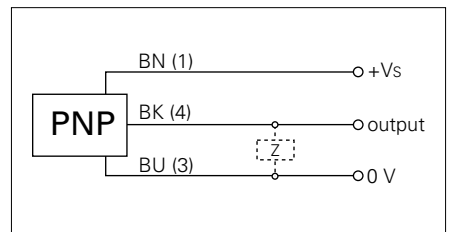
ambient conditions

| | |
|-----------------------|----------------|
| operating temperature | -25 ... +75 °C |
| protection class | IP 67 |

photo



connection diagram

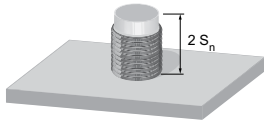


• triple sensing distance

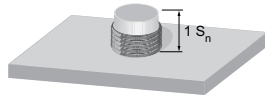
Inductive proximity switch

IR08.P06S-N46.PC1Z.7SL

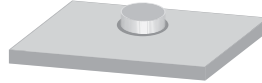
Correction factors for different mounting situations (approximate values)



| Mounting material | Correction factor |
|-------------------|-------------------|
| Mild steel | 100 % |
| Stainless steel | 100 % |
| Aluminum | 100 % |



| Mounting material | Correction factor |
|-------------------|-------------------|
| Mild steel | 110 % |
| Stainless steel | 95 % |
| Aluminum | 90 % |



| Mounting material | Correction factor |
|-------------------|-------------------|
| Mild steel | not possible |
| Stainless steel | 95 % |
| Aluminum | 80 % |