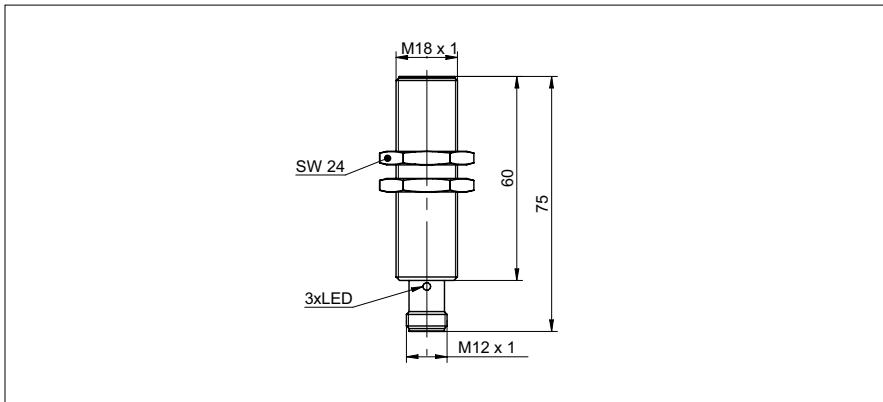


## Inductive proximity switch

## IFRM 18P37A4/S14L

## dimension drawing



## general data

mounting type	quasi-flush
nominal sensing distance $S_n$	8 mm
hysteresis	3 ... 20 % of $S_r$
output indicator	3 port LED red

## electrical data

switching frequency	< 500 Hz
voltage supply range +Vs	10 ... 30 VDC
current consumption max. (no load)	10 mA
output circuit	PNP break function (NC)
voltage drop $V_d$	< 2 VDC
output current	< 200 mA
short circuit protection	yes
reverse polarity protection	yes

## mechanical data

type	cylindrical threaded
material (sensing face)	PBT
housing material	brass nickel plated
dimension	18 mm
housing length	75 mm
connection types	connector M12
tightening torque max.	40 Nm

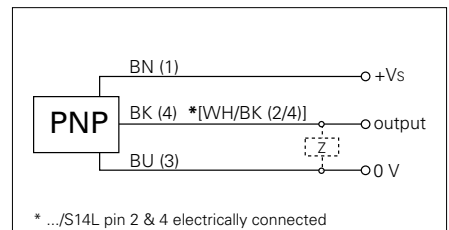
## ambient conditions

operating temperature	-25 ... +75 °C
protection class	IP 67

## photo



## connection diagram



- Not for flush mounting in mild steel