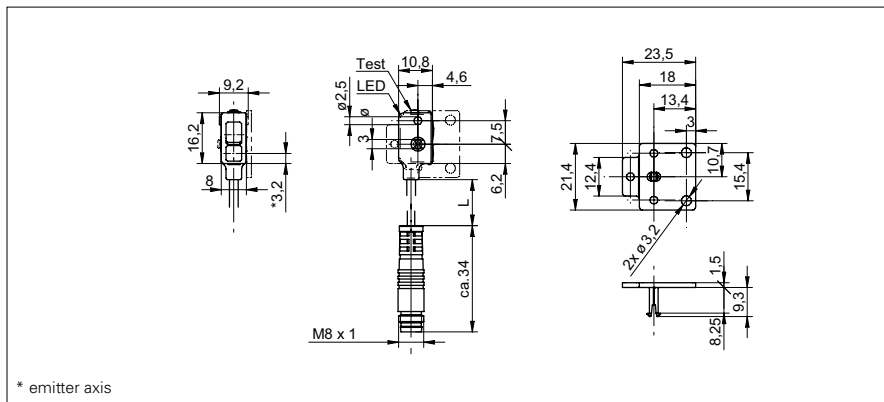


## Through beam sensors

## FSDK 07D9601/KS35A

## dimension drawing



## general data

type	through beam sensor
emitter / receiver	emitter
light source	pulsed red LED
actual range $S_b$	2 m
nominal range $S_n$	2,5 m
wave length	660 nm

## electrical data

voltage supply range +Vs	10 ... 30 VDC
current consumption max. (no load)	20 mA
current consumption typ.	12 mA
reverse polarity protection	yes

## mechanical data

width / diameter	8 mm
height / length	16,2 mm
depth	10,8 mm
type	rectangular
housing material	plastic (PMMA, MABS, PA)
front (optics)	PMMA
connection types	flylead connector M8 4 pin, L=200 mm

## ambient conditions

operating temperature	-20 ... +50 °C
protection class	IP 65

## photo



## connection diagram

