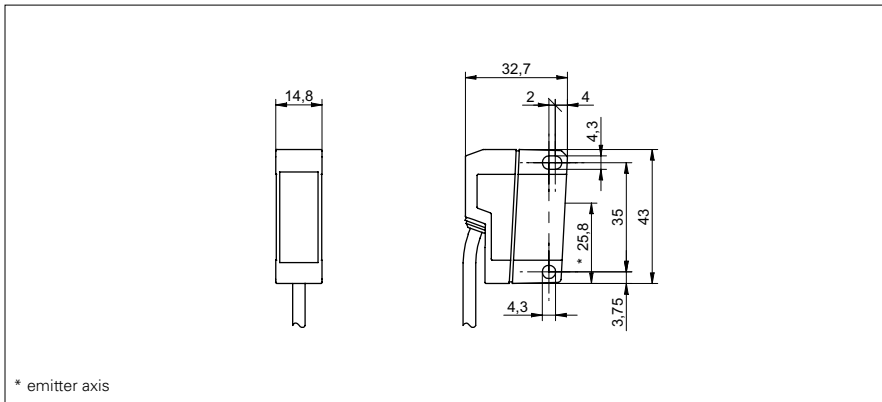


## Through beam sensors

## FSDK 14D9601

## dimension drawing



## general data

|                     |                     |
|---------------------|---------------------|
| type                | through beam sensor |
| emitter / receiver  | emitter             |
| light source        | pulsed red LED      |
| actual range $S_b$  | 12 m                |
| nominal range $S_n$ | 15 m                |
| wave length         | 660 nm              |

## electrical data

|                                    |               |
|------------------------------------|---------------|
| voltage supply range +Vs           | 10 ... 30 VDC |
| current consumption max. (no load) | 20 mA         |
| current consumption typ.           | 12 mA         |
| reverse polarity protection        | yes           |

## mechanical data

|                  |                     |
|------------------|---------------------|
| width / diameter | 14,8 mm             |
| height / length  | 43 mm               |
| depth            | 31 mm               |
| type             | rectangular         |
| housing material | plastic (ASA, MABS) |
| front (optics)   | PMMA                |
| connection types | cable 4 pin, 2 m    |

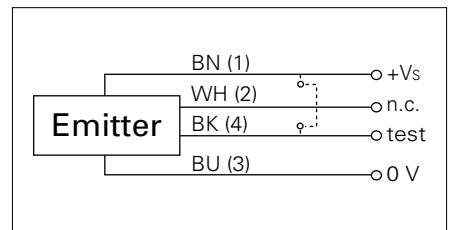
## ambient conditions

|                       |                |
|-----------------------|----------------|
| operating temperature | -25 ... +65 °C |
| protection class      | IP 67          |

## photo



## connection diagram



• emitter without LED