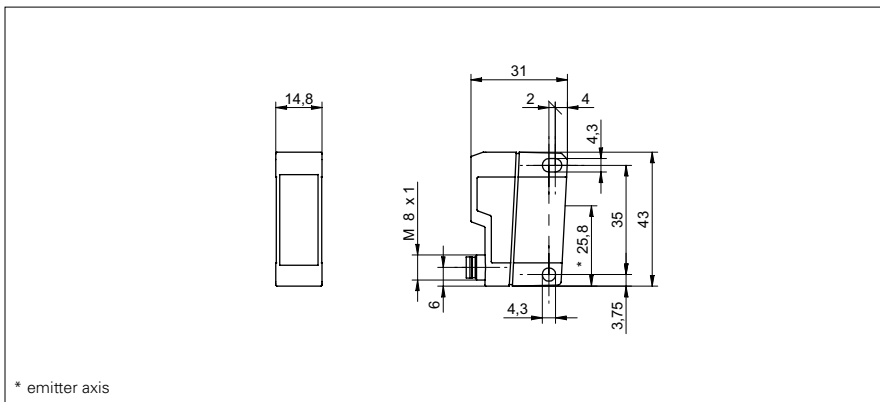


Through beam sensors

FSDK 14D9601/S35A

dimension drawing



general data

type	through beam sensor
emitter / receiver	emitter
light source	pulsed red LED
actual range S_b	12 m
nominal range S_n	15 m
wave length	660 nm

electrical data

voltage supply range +Vs	10 ... 30 VDC
current consumption max. (no load)	20 mA
current consumption typ.	12 mA
reverse polarity protection	yes

mechanical data

width / diameter	14,8 mm
height / length	43 mm
depth	31 mm
type	rectangular
housing material	plastic (ASA, MABS)
front (optics)	PMMA
connection types	connector M8 4 pin

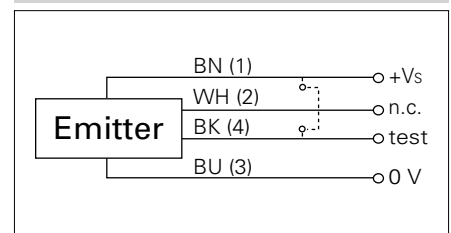
ambient conditions

operating temperature	-25 ... +65 °C
protection class	IP 67

photo



connection diagram



• emitter without LED