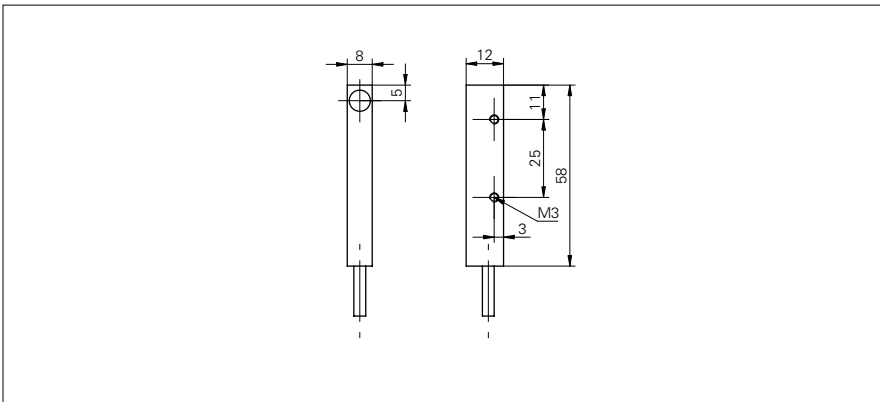


Through beam sensors

FSDM 08D9001

dimension drawing



general data

type	through beam sensor
emitter / receiver	emitter
light source	pulsed infrared diode
actual range S_b	0,7 m
nominal range S_n	1 m
wave length	880 nm

electrical data

voltage supply range +Vs	10 ... 30 VDC
current consumption max. (no load)	48 mA
current consumption typ.	17 mA
reverse polarity protection	yes

mechanical data

width / diameter	8 mm
height / length	58 mm
depth	12 mm
type	rectangular
housing material	aluminum anodized
front (optics)	PC
connection types	cable 3 pin, 2 m

ambient conditions

operating temperature	-25 ... +65 °C
protection class	IP 65

photo



connection diagram

