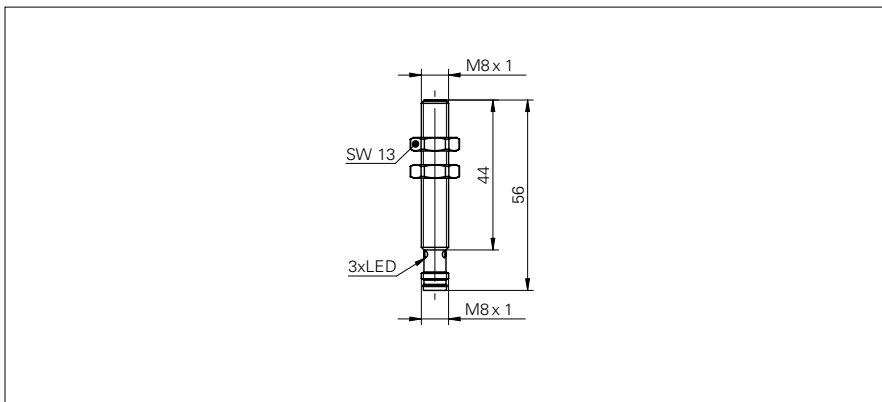


## Inductive proximity switch

## IFRM 08P17A4/S35L

## dimension drawing



## general data

nominal sensing distance $S_n$	2 mm
hysteresis	3 ... 20 % of $S_r$
output indicator	3 port LED red
mounting type	shielded

## electrical data

switching frequency	< 5 kHz
voltage supply range +Vs	10 ... 30 VDC
current consumption max.	12 mA
output circuit	PNP make function (NO)
voltage drop $V_d$	< 2 VDC
output current	< 200 mA
short circuit protection	yes
reverse polarity protection	yes

## mechanical data

material (sensing face)	PBT
housing length	56 mm
connection types	connector M8
type	cylindrical threaded
dimension	8 mm
housing material	stainless steel

## ambient conditions

operating temperature	-25 ... +75 °C
protection class	IP 67

## photo



## connection diagram



- long robust steel housings