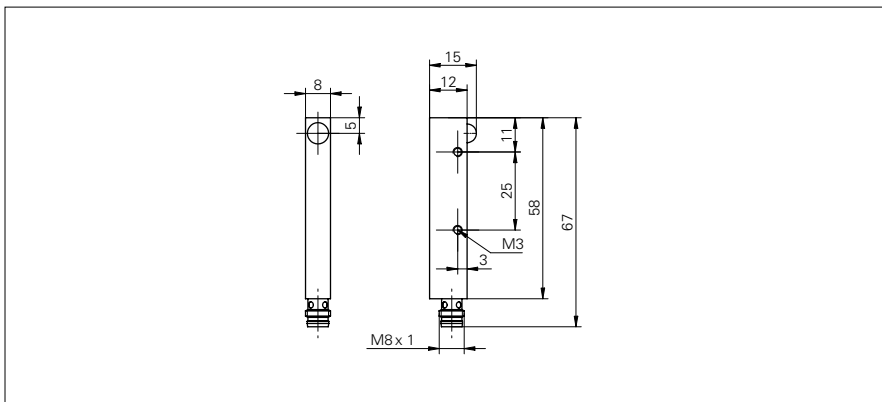


Through beam sensors

FSDM 08D9002/S35

dimension drawing



general data

type	through beam sensor
emitter / receiver	emitter
light source	pulsed infrared diode
actual range S_b	2,5 m
nominal range S_n	3 m
wave length	880 nm

electrical data

voltage supply range +Vs	10 ... 30 VDC
current consumption max. (no load)	48 mA
current consumption typ.	17 mA
reverse polarity protection	yes

mechanical data

width / diameter	8 mm
height / length	58 mm
depth	15 mm
type	rectangular
housing material	aluminum anodized
front (optics)	PC
connection types	connector M8, 3 pin

ambient conditions

operating temperature	-25 ... +65 °C
protection class	IP 65

photo



connection diagram

