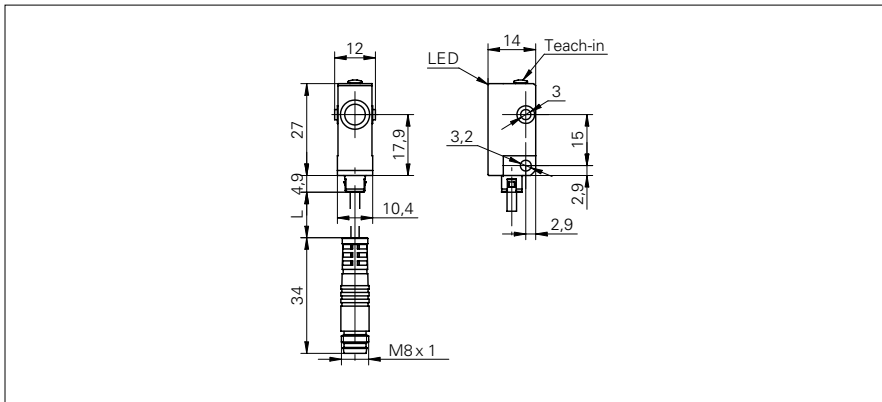


## Ultrasonic retro-reflective sensors

## URDK 10P8914/KS35A

## dimension drawing



## general data

scanning range $s_d$	0 ... 200 mm
reflector position $S_{de}$	40 ... 200 mm
adjusting range reflector (operating range)	$\pm 2,5 \% S_{de}$
adjusting range reflector (limit range)	$\pm 5 \% S_{de}$
repeat accuracy	< 1,5 mm
temperature drift	< 2 % $S_{de}$
response time $t_{on}$	< 15 ms
release time $t_{off}$	< 15 ms
sonic frequency	380 kHz
adjustment	Teach-in
alignment aid	target indication flashing
output indicator	LED green

## electrical data

voltage supply range $+V_s$	12 ... 30 VDC
current consumption max. (no load)	30 mA
output circuit	PNP make function (NO) / break function (NC)
output current	< 200 mA
voltage drop $V_d$	< 2 VDC
residual ripple	< 10 % $V_s$
short circuit protection	yes
reverse polarity protection	yes

## mechanical data

type	rectangular
housing material	plastic (ASA)
width / diameter	10,4 mm
height / length	27 mm
depth	14 mm
connection types	flylead connector M8, L=200 mm

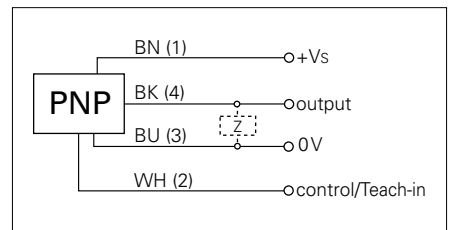
## ambient conditions

operating temperature	-10 ... +60 °C
protection class	IP 67

## photo



## connection diagram



- make function/break function, programmable