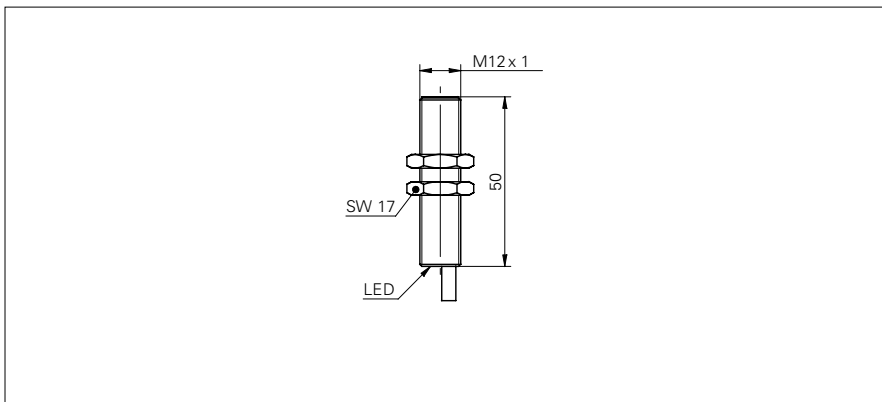


Inductive proximity switch

IFRM 12N1704/L

dimension drawing



general data

| | |
|--------------------------------|---------------------|
| mounting type | flush |
| nominal sensing distance S_n | 4 mm |
| hysteresis | 3 ... 20 % of S_r |
| output indicator | LED red |

electrical data

| | |
|------------------------------------|------------------------|
| switching frequency | < 2 kHz |
| voltage supply range +Vs | 10 ... 30 VDC |
| current consumption max. (no load) | 10 mA |
| output circuit | NPN make function (NO) |
| voltage drop V_d | < 2 VDC |
| output current | < 200 mA |
| short circuit protection | yes |
| reverse polarity protection | yes |

mechanical data

| | |
|-------------------------|----------------------|
| type | cylindrical threaded |
| material (sensing face) | PBT |
| housing material | brass nickel plated |
| dimension | 12 mm |
| housing length | 50 mm |
| connection types | cable, 2 m |

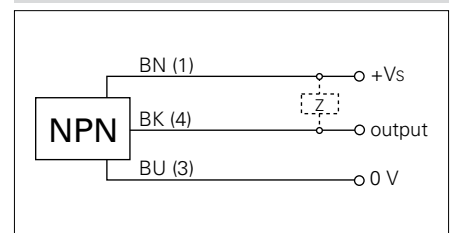
ambient conditions

| | |
|-----------------------|----------------|
| operating temperature | -25 ... +75 °C |
| protection class | IP 67 |

photo



connection diagram



- extra long housing