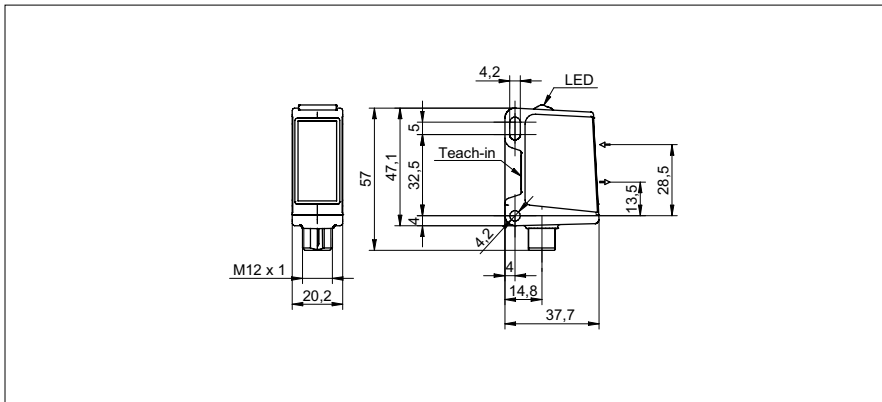


Diffuse sensors with background suppression

O500W.GP-11125092

dimension drawing



general data

| | |
|-------------------------------------|------------------------|
| type | background suppression |
| special type | Washdown design |
| light source | pulsed PinPoint LED |
| sensing distance Tw | 60 ... 400 mm |
| sensing range Tb | 30 ... 400 mm |
| power on indication | LED green |
| light indicator | LED yellow |
| sensing distance adjustment | Teach-in and IO-Link |
| wave length | 630 nm |
| suppression of reciprocal influence | yes |
| alignment optical axis | < 1° |
| approvals/certificates | Ecolab |

electrical data

| | |
|------------------------------------|----------------------|
| response time / release time | < 0,49 ms |
| voltage supply range +Vs | 10 ... 30 VDC |
| current consumption max. (no load) | 40 mA |
| current consumption typ. | 30 mA |
| voltage drop Vd | < 3 VDC |
| output function | light / dark operate |
| output circuit | push-pull |
| output current | < 100 mA |
| short circuit protection | yes |
| reverse polarity protection | yes |

mechanical data

| | |
|------------------|------------------------------|
| width / diameter | 20,2 mm |
| height / length | 47,2 mm |
| depth | 37,7 mm |
| type | rectangular |
| housing material | stainless steel 1.4404 (V4A) |
| front (optics) | PMMA |
| connection types | connector M12 4 pin |

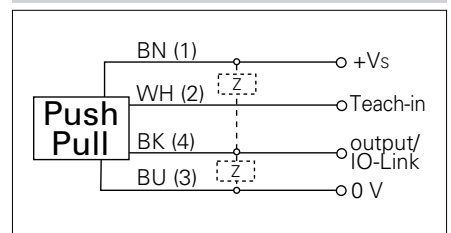
ambient conditions

| | |
|-----------------------|----------------------|
| operating temperature | -25 ... +60 °C |
| protection class | IP 68/69K & proTect+ |

photo



connection diagram



IO-Link

proTect+



- qTeach
- IO-Link: V1.1, filter functions, qTeach lock adjustable