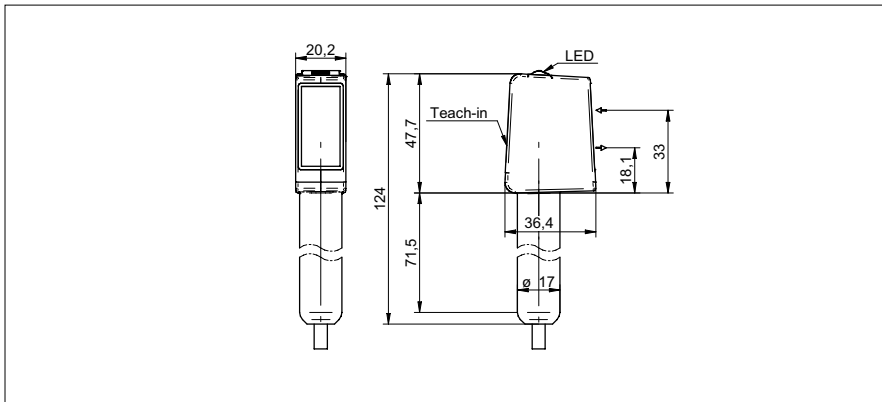


# SmartReflect Light barriers

**O500H.SPT-11136929**

**dimension drawing**



**general data**

type	light barrier
special type	hygienic design
version	transparency object detection
light source	pulsed PinPoint LED
background position Sde	60 ... 1000 mm
scanning range sa	100% ... 85% Sde
minimal signal attenuation	10 % / 20 % / 30 %
light indicator	LED green
output indicator	LED yellow
sensing distance adjustment	Teach-in and IO-Link
wave length	630 nm
suppression of reciprocal influence	yes
alignment optical axis	< 1°
approvals/certificates	Ecolab

**electrical data**

response time / release time	< 0,25 ms
voltage supply range +Vs	10 ... 30 VDC
current consumption max. (no load)	40 mA
current consumption typ.	30 mA
voltage drop Vd	< 3 VDC
output function	light / dark operate
output circuit	push-pull
output current	< 100 mA
short circuit protection	yes
reverse polarity protection	yes

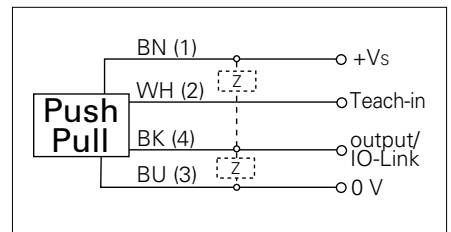
**mechanical data**

width / diameter	20,2 mm
height / length	47,7 mm
depth	36,4 mm
type	rectangular
housing material	stainless steel 1.4404 (V4A)
front (optics)	PMMA
connection types	cable 4 pin, 2 m

**photo**



**connection diagram**



**IO-Link**

**proTect<sup>+</sup>**



- magnetic Teach
- IO-Link: V1.1, filter functions, qTeach lock adjustable
- signal attenuation adjustable

**SmartReflect Light barriers****O500H.SPT-11136929****ambient conditions**

operating temperature	-25 ... +60 °C
protection class	IP 68/69K & proTect+