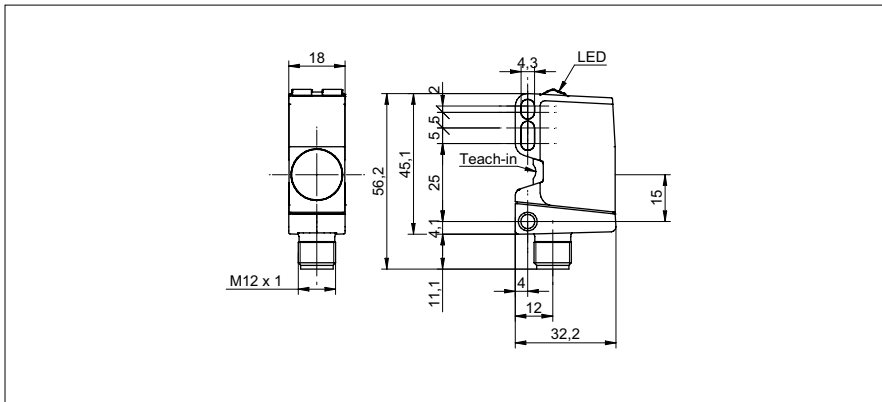


Ultrasonic retro-reflective sensors

U500.RA0-11110579

dimension drawing



general data

scanning range s_d	0 ... 1000 mm
reflector position S_{de}	200 ... 1000 mm
adjusting range reflector (operating range)	$\pm 2,5 \% S_{de}$
adjusting range reflector (limit range)	$\pm 5 \% S_{de}$
repeat accuracy	< 3 mm
temperature drift	< 2 % S_{de}
power-up drift	compensated after 15 min.
response time t_{on}	< 50 ms
release time t_{off}	< 50 ms
sonic frequency	220 kHz
adjustment	qTeach
alignment aid	light indicator flashing
light indicator	LED yellow
power on indication	LED green
alignment measuring axis	< 2°

electrical data

voltage supply range $+V_s$	12 ... 30 VDC
current consumption typ.	35 mA
output circuit	push-pull
output current	< 100 mA
voltage drop V_d	< 3,5 VDC
residual ripple	< 10 % V_s
short circuit protection	yes
reverse polarity protection	yes

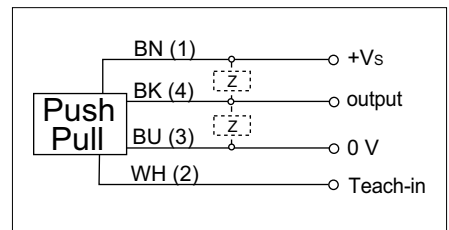
mechanical data

type	rectangular
housing material	plastic (ASA, PMMA)
width / diameter	18 mm
height / length	45 mm
depth	32 mm
connection types	connector M12

photo



connection diagram



Ultrasonic retro-reflective sensors**U500.RA0-11110579****ambient conditions**

operating temperature	-25 ... +65 °C
storage temperature	-40 ... +75 °C
protection class	IP 67