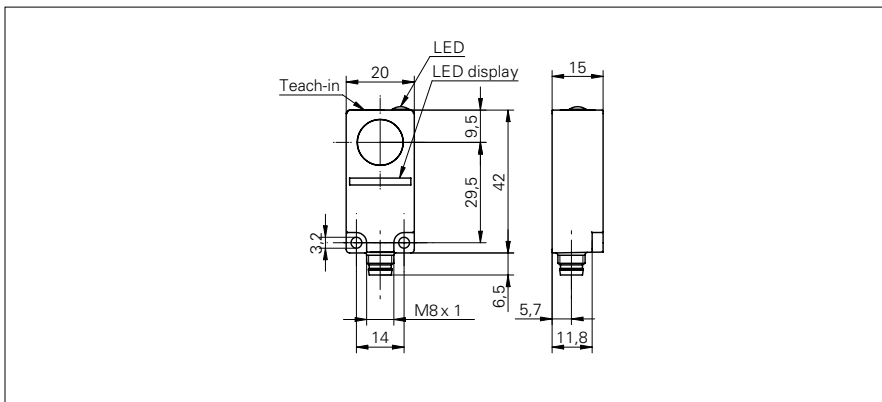


Ultrasonic through beam sensors

UEDK 20P6103/S35A

dimension drawing



general data

emitter / receiver	receiver
scanning range s_d	0 ... 1000 mm
scanning range far limit s_{de}	0 ... 1000 mm
object size (at $s_d = 50$ mm)	> 2 cm ²
hysteresis typ.	5 mm
repeat accuracy	< 3 mm
response time t_{on}	< 5 ms
release time t_{off}	< 5 ms
adjustment	Teach-in
alignment aid	target indication flashing
output indicator	LED green

electrical data

voltage supply range +Vs	15 ... 30 VDC
current consumption max. (no load)	30 mA
output circuit	PNP make function (NO)
output current	< 200 mA
voltage drop V_d	< 2 VDC
residual ripple	< 10 % V_s
short circuit protection	yes
reverse polarity protection	yes

mechanical data

type	rectangular
housing material	polyester
width / diameter	20 mm
height / length	42 mm
depth	15 mm
connection types	connector M8

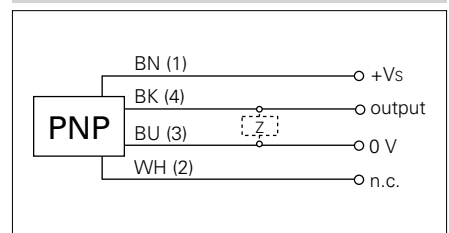
ambient conditions

operating temperature	0 ... +60 °C
protection class	IP 67

photo



connection diagram



- receiver with teach-in & LED display
- response time adjustable <= 5 ... 320 ms