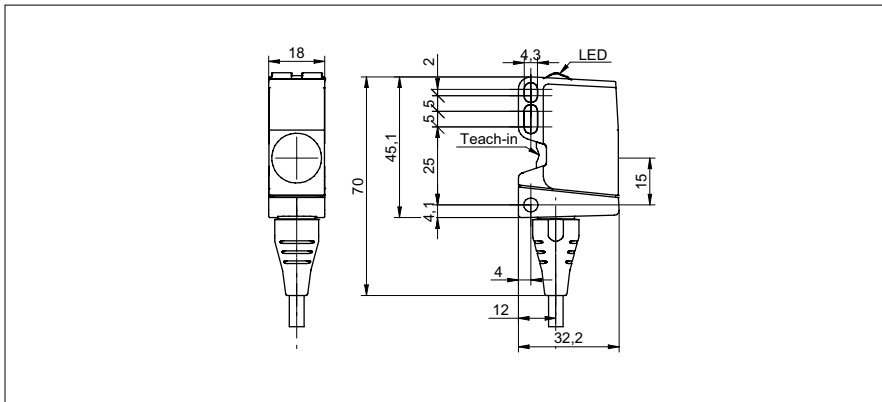


Ultrasonic proximity sensors

U500.PA0-11120936

dimension drawing



general data

scanning range sd	100 ... 1000 mm
scanning range far limit Sde	100 ... 1000 mm
hysteresis typ.	4 % Sde
repeat accuracy	< 0,5 mm
temperature drift	< 2 % Sde
power-up drift	compensated after 15 min.
response time ton	< 50 ms
release time toff	< 50 ms
sonic frequency	220 kHz
adjustment	qTeach
alignment aid	light indicator flashing
light indicator	LED yellow
power on indication	LED green
alignment measuring axis	< 2°

electrical data

voltage supply range +Vs	12 ... 30 VDC
current consumption typ.	35 mA
output circuit	push-pull
output current	< 100 mA
voltage drop Vd	< 3,5 VDC
residual ripple	< 10 % Vs
short circuit protection	yes
reverse polarity protection	yes

mechanical data

type	rectangular
housing material	plastic (ASA, PMMA)
width / diameter	18 mm
height / length	45 mm
depth	32 mm
connection types	cable PUR 4 x 0,25, 2 m

ambient conditions

operating temperature	-25 ... +65 °C
storage temperature	-40 ... +75 °C
protection class	IP 67

photo



connection diagram

