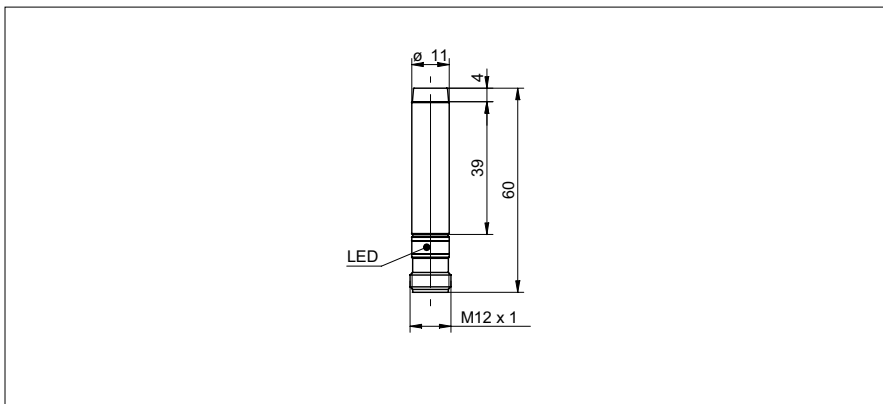


## Inductive proximity switch

## IFBR 11N33T1/S14L-9

## dimension drawing



## general data

mounting type	unshielded
special type	Hygiene design
nominal sensing distance $S_n$	6 mm
hysteresis	2 ... 15 % of $S_r$
output indicator	LED red
Approvals/certificates	Ecolab EHEDG

## electrical data

switching frequency	< 1 kHz
voltage supply range +Vs	10 ... 30 VDC
current consumption max. (no load)	10 mA
output circuit	NPN break function (NC)
voltage drop Vd	< 2 VDC
output current	< 200 mA
output current (at cleaning temperature)	< 100 mA
short circuit protection	yes
reverse polarity protection	yes

## mechanical data

type	cylindrical smooth
material (sensing face)	LCP
housing material	stainless steel 1.4404 (V4A); LSR
dimension	11 mm
housing length	60 mm
connection types	connector M12

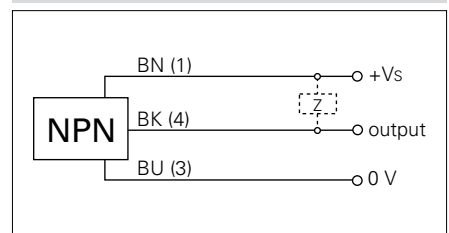
## ambient conditions

operating temperature	-40 ... +80 °C
cleaning temperature	80 ... +100 °C (30 min/day)
protection class	IP 68/69K & proTect+

## photo



## connection diagram



- Sensor FDA compliant and Ecolab approved
- LSR = Liquid Silicon Rubber