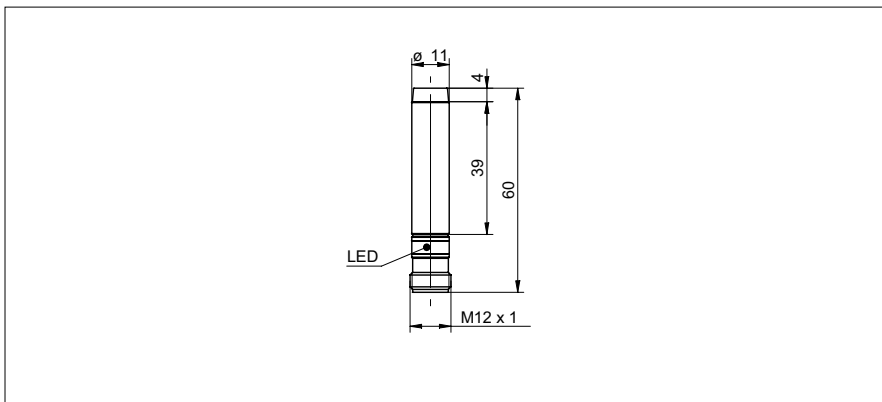


Inductive proximity switch

IFBR 11P13T1/S14L-9

dimension drawing



general data

| | |
|--------------------------------|---------------------|
| mounting type | unshielded |
| special type | Hygiene design |
| nominal sensing distance S_n | 6 mm |
| hysteresis | 2 ... 15 % of S_r |
| output indicator | LED red |
| Approvals/certificates | Ecolab EHEDG |

electrical data

| | |
|------------------------------------------|------------------------|
| switching frequency | < 1 kHz |
| voltage supply range +Vs | 10 ... 30 VDC |
| current consumption max. (no load) | 10 mA |
| output circuit | PNP make function (NO) |
| voltage drop Vd | < 2 VDC |
| output current | < 200 mA |
| output current (at cleaning temperature) | < 100 mA |
| short circuit protection | yes |
| reverse polarity protection | yes |

mechanical data

| | |
|-------------------------|-----------------------------------|
| type | cylindrical smooth |
| material (sensing face) | LCP |
| housing material | stainless steel 1.4404 (V4A); LSR |
| dimension | 11 mm |
| housing length | 60 mm |
| connection types | connector M12 |

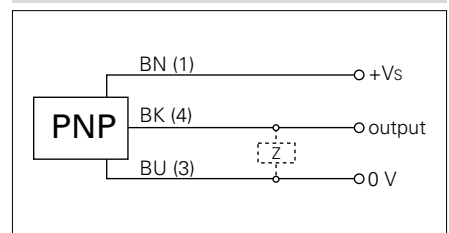
ambient conditions

| | |
|-----------------------|-----------------------------|
| operating temperature | -40 ... +80 °C |
| cleaning temperature | 80 ... +100 °C (30 min/day) |
| protection class | IP 68/69K & proTect+ |

photo



connection diagram



- Sensor FDA compliant and Ecolab approved
- LSR = Liquid Silicon Rubber