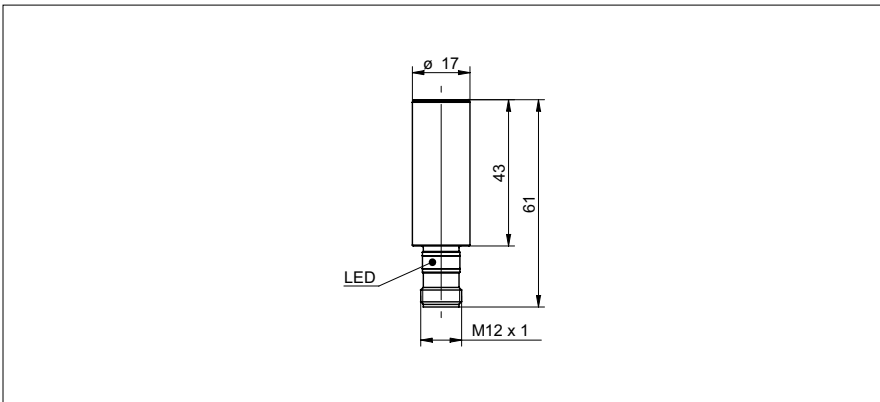


## Inductive proximity switch

## IFBR 17N37T1/S14L-9

## dimension drawing



## general data

|                                |                     |
|--------------------------------|---------------------|
| mounting type                  | quasi shielded      |
| special type                   | Hygiene design      |
| nominal sensing distance $S_n$ | 8 mm                |
| hysteresis                     | 2 ... 15 % of $S_r$ |
| output indicator               | LED red             |
| Approvals/certificates         | Ecolab<br>EHEDG     |

## electrical data

|  |                         |
|--|-------------------------|
| switching frequency                      | < 500 Hz                |
| voltage supply range +Vs                 | 10 ... 30 VDC           |
| current consumption max. (no load)       | 10 mA                   |
| output circuit                           | NPN break function (NC) |
| voltage drop Vd                          | < 2 VDC                 |
| output current                           | < 200 mA                |
| output current (at cleaning temperature) | < 100 mA                |
| short circuit protection                 | yes                     |
| reverse polarity protection              | yes                     |

## mechanical data

|                         |                                   |
|-------------------------|-----------------------------------|
| type                    | cylindrical smooth                |
| material (sensing face) | LCP                               |
| housing material        | stainless steel 1.4404 (V4A); LSR |
| dimension               | 17 mm                             |
| housing length          | 61 mm                             |
| connection types        | connector M12                     |

## ambient conditions

|                       |                             |
|-----------------------|-----------------------------|
| operating temperature | -40 ... +80 °C              |
| cleaning temperature  | 80 ... +100 °C (30 min/day) |
| protection class      | IP 68/69K & proTect+        |

## photo



## connection diagram



- Sensor FDA compliant and Ecolab approved
- LSR = Liquid Silicon Rubber