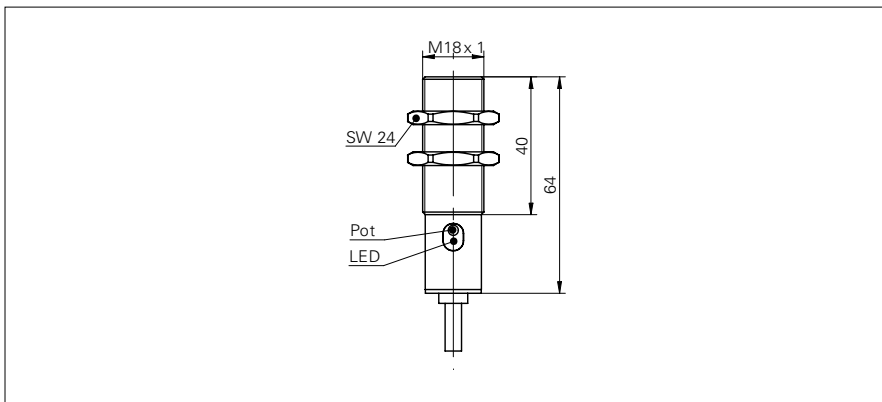


## Capacitive proximity sensors

## CFAM 18N1600

## dimension drawing



## general data

nominal sensing distance $S_n$	8 mm
nominal sensing distance $S_n$ adjustable	2 ... 8 mm
mounting type	flush
GND electrode	yes
temperature drift	$\pm 15\%$ (+10 ... +70 °C)
sensitivity adjustment	potentiometer, 12 turn
output indicator	LED yellow

## electrical data

voltage supply range +Vs	10 ... 30 VDC
current consumption max. (no load)	20 mA
output circuit	NPN make function (NO)
output current	< 200 mA
voltage drop Vd	< 1,5 VDC
switching frequency	< 50 Hz
short circuit protection	yes
reverse polarity protection	yes

## mechanical data

type	cylindrical threaded
housing material	brass nickel plated
dimension	18 mm
housing length	64 mm
connection types	cable, 2 m

## ambient conditions

operating temperature	-25 ... +75 °C
protection class	IP 65

## field of application

detection of non-conductive media	yes
fill level detection through container	yes
liquids in direct contact	no
object detection / bulk goods	yes

## photo



## connection diagram

