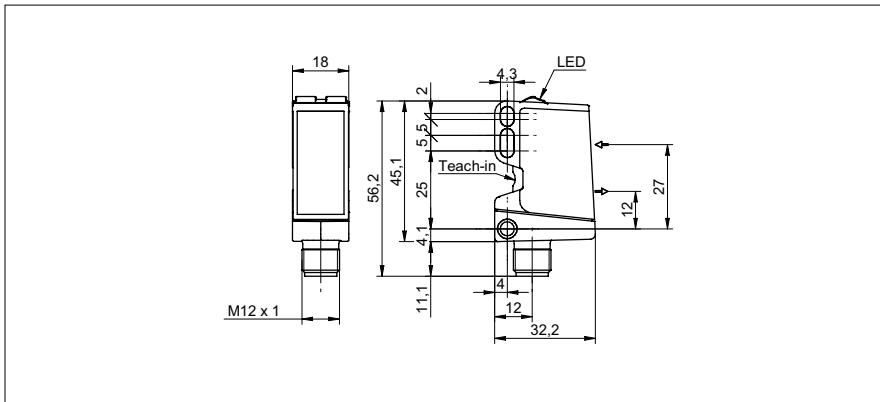


## Diffuse sensors with intensity difference

### O500.ZR-11128018

#### dimension drawing



#### general data

|                                     |                      |
|-------------------------------------|----------------------|
| type                                | intensity difference |
| light source                        | pulsed red LED       |
| sensing distance Tw                 | 20 ... 600 mm        |
| power on indication                 | LED green            |
| light indicator                     | LED yellow           |
| sensing distance adjustment         | qTeach               |
| wave length                         | 630 nm               |
| suppression of reciprocal influence | yes                  |
| alignment optical axis              | < 1°                 |

#### electrical data

|                                    |                      |
|------------------------------------|----------------------|
| response time / release time       | < 1 ms               |
| voltage supply range +Vs           | 10 ... 30 VDC        |
| current consumption max. (no load) | 40 mA                |
| current consumption typ.           | 30 mA                |
| voltage drop Vd                    | < 3 VDC              |
| output function                    | light / dark operate |
| output circuit                     | push-pull            |
| output current                     | < 100 mA             |
| short circuit protection           | yes                  |
| reverse polarity protection        | yes                  |

#### mechanical data

|                  |                     |
|------------------|---------------------|
| width / diameter | 18 mm               |
| height / length  | 45 mm               |
| depth            | 32 mm               |
| type             | rectangular         |
| housing material | plastic (ASA, PMMA) |
| front (optics)   | PMMA                |
| connection types | connector M12 3 pin |

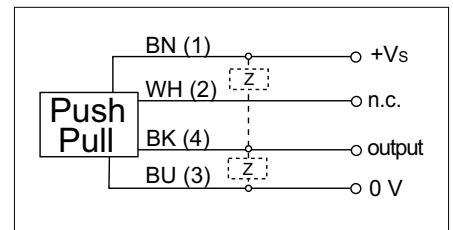
#### ambient conditions

|                       |                |
|-----------------------|----------------|
| operating temperature | -25 ... +60 °C |
| protection class      | IP 67          |

#### photo



#### connection diagram



• qTeach