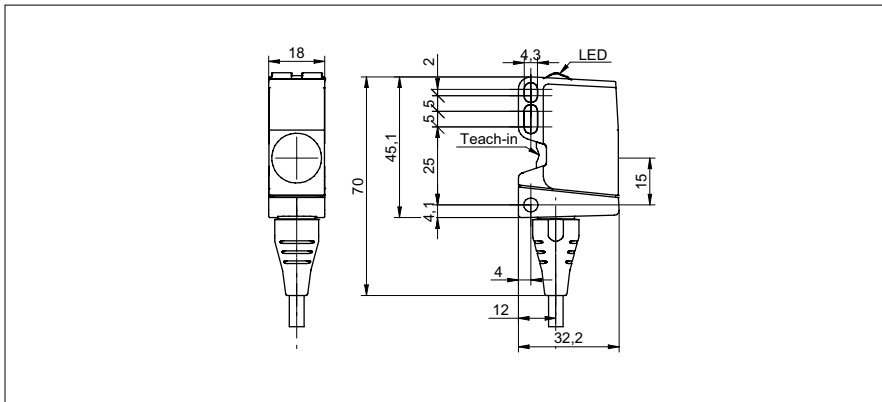


Ultrasonic retro-reflective sensors

U500.RA0-11127347

dimension drawing



general data

| | |
|---|---------------------------|
| scanning range sd | 0 ... 1000 mm |
| reflector position Sde | 200 ... 1000 mm |
| adjusting range reflector (operating range) | ± 2,5 % Sde |
| adjusting range reflector (limit range) | ± 5 % Sde |
| repeat accuracy | < 3 mm |
| temperature drift | < 2 % Sde |
| power-up drift | compensated after 15 min. |
| response time ton | < 50 ms |
| release time toff | < 50 ms |
| sonic frequency | 220 kHz |
| adjustment | qTeach |
| alignment aid | light indicator flashing |
| light indicator | LED yellow |
| power on indication | LED green |
| alignment measuring axis | < 2° |

electrical data

| | |
|-----------------------------|---------------|
| voltage supply range +Vs | 12 ... 30 VDC |
| current consumption typ. | 35 mA |
| output circuit | push-pull |
| output current | < 100 mA |
| voltage drop Vd | < 3,5 VDC |
| residual ripple | < 10 % Vs |
| short circuit protection | yes |
| reverse polarity protection | yes |

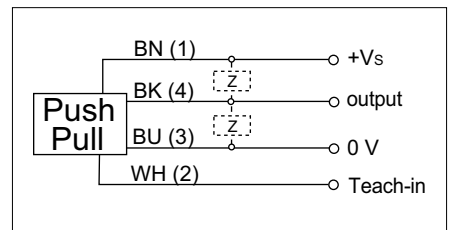
mechanical data

| | |
|------------------|-------------------------|
| type | rectangular |
| housing material | plastic (ASA, PMMA) |
| width / diameter | 18 mm |
| height / length | 45 mm |
| depth | 32 mm |
| connection types | cable PUR 4 x 0,25, 2 m |

photo



connection diagram



Ultrasonic retro-reflective sensors**U500.RA0-11127347****ambient conditions**

| | |
|-----------------------|----------------|
| operating temperature | -25 ... +65 °C |
| storage temperature | -40 ... +75 °C |
| protection class | IP 67 |