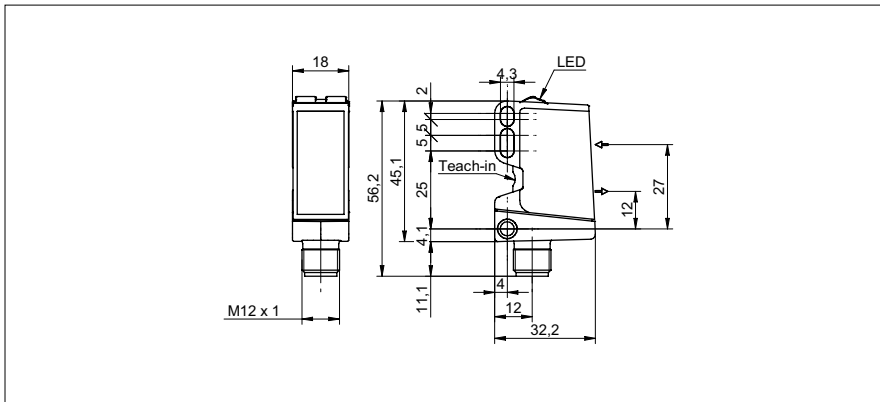


## Diffuse sensors with background suppression

### O500.GI-11120203

#### dimension drawing



#### general data

type	background suppression
light source	pulsed infrared diode
sensing distance $T_w$	60 ... 550 mm
sensing range $T_b$	30 ... 600 mm
power on indication	LED green
light indicator	LED yellow
sensing distance adjustment	qTeach / external
wave length	860 nm
suppression of reciprocal influence	yes
alignment optical axis	$< 1^\circ$

#### electrical data

response time / release time	$< 0,49$ ms
voltage supply range +Vs	10 ... 30 VDC
current consumption max. (no load)	40 mA
current consumption typ.	30 mA
voltage drop Vd	$< 3$ VDC
output function	light / dark operate
output circuit	push-pull
output current	$< 100$ mA
short circuit protection	yes
reverse polarity protection	yes

#### mechanical data

width / diameter	18 mm
height / length	45 mm
depth	32 mm
type	rectangular
housing material	plastic (ASA, PMMA)
front (optics)	PMMA
connection types	connector M12 4 pin

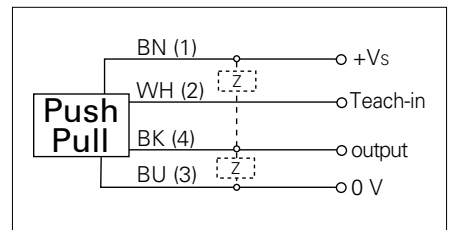
#### ambient conditions

operating temperature	-25 ... +60 °C
protection class	IP 67

#### photo



#### connection diagram



• qTeach